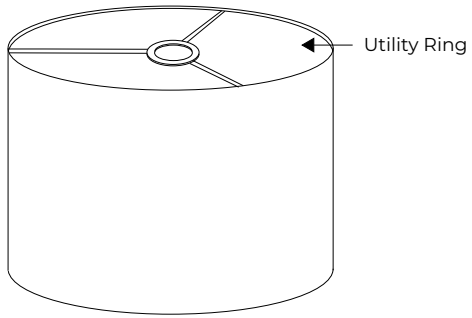


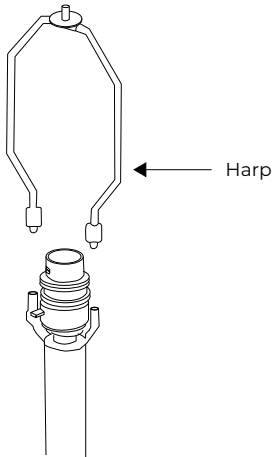
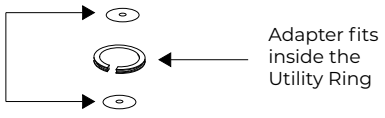
# How Needcraft Kits work on various fitting:

## US Harp & Finial Fittings

○ ← Finial

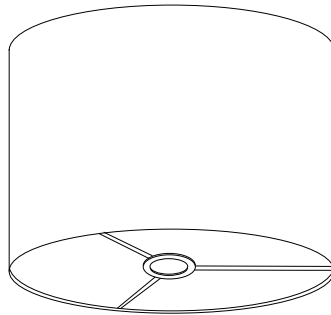


Converting Washers are placed on top and bottom of Reducer



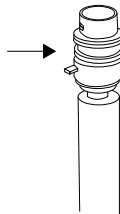
## UK & EU Lampbases B22 Bayonet Cap E14 Edison Screw

○ ← Lamp Fitting Ring

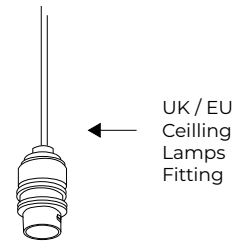


○ ← Adapter fits inside the Utility Ring

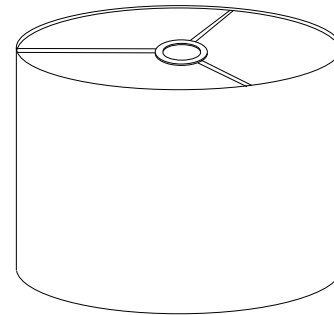
UK/EU Lampbase Fitting



## UK & EU Ceiling Lamps B22 Bayonet Cap E14 Edison Screw

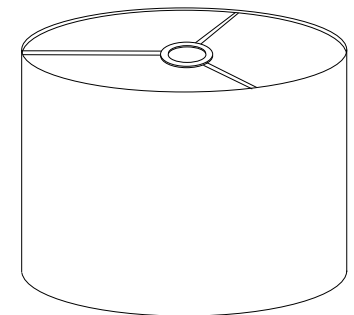
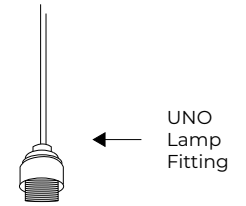


○ ← Adapter fits inside the Utility Ring



○ ← Lamp Fitting Ring

## UNO Fittings E27 Edison Screw E26 Edison Screw Lampholders



○ ← Lamp Fitting Ring