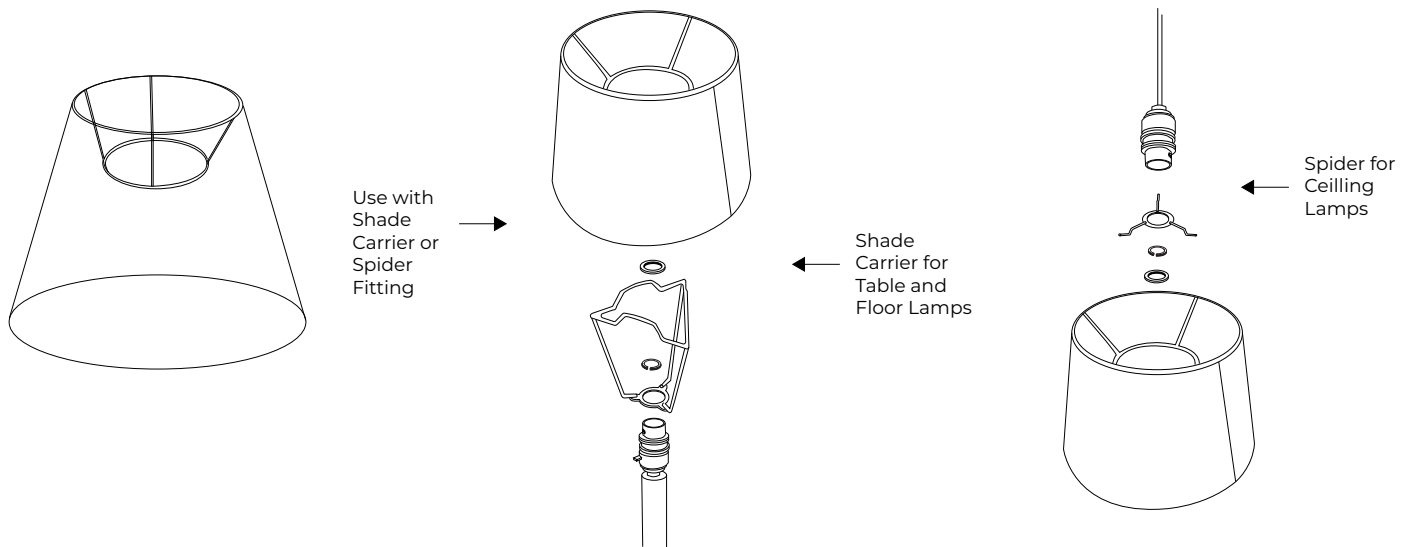


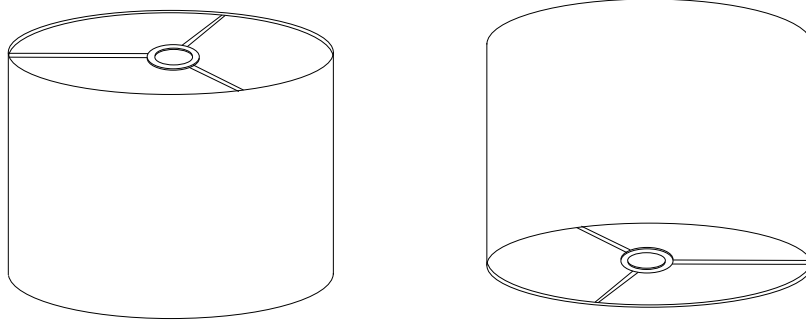
Lampshade Fittings Guide

Duplex Fitting



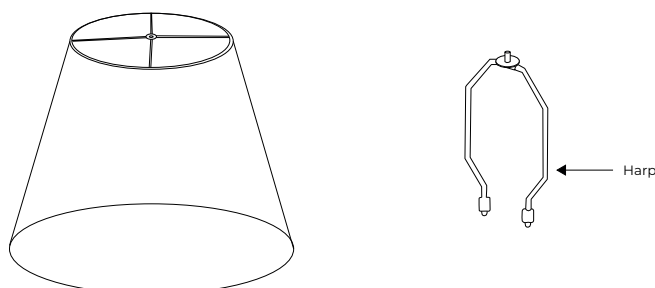
Standard Ring Set

Usually with 40mm (ES/UNO) washers but can be adapted to UK and US fitting, check page 3 for further information.



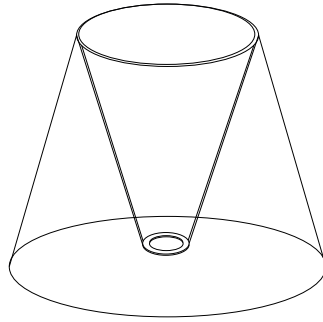
USA Frames - for Finial Fittings

Used with US Harps or US Finial rod system.



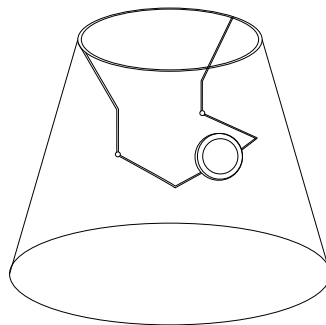
Fixed Gimbal

A fixed straight gimbal is a rigid gimbal that is fixed to the top of the lampshade frame and drops into the middle of the lampshade, with the lampholder at its centre. Lampshades with this fitting can only be used for table lamps.



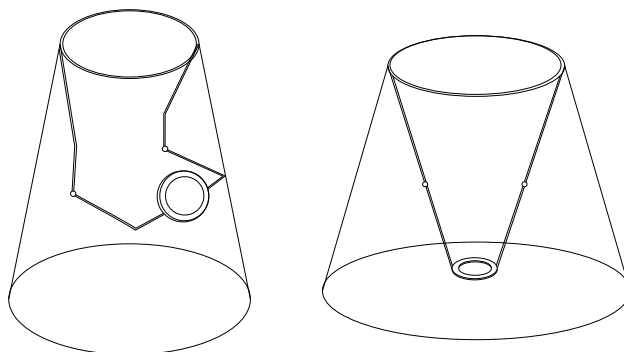
Reversible Gimbal

A reversible gimbal is a moveable gimbal, that again is attached to the top of the frame and drops into the middle of the shade. The gimbal arms have rivets in that allow the lampholder to be positioned downwards for a table lamp, or upwards for a pendant lamp. This type of gimbal is only suitable for smaller lampshades.



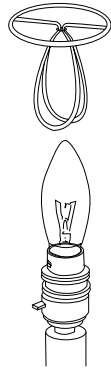
Fixed Reversible Gimbal

A fixed reversible gimbal is where there is a reversible gimbal fitted, but due to the taper at the top rings, there isn't enough room for these to swing around, therefore this can only be used as a table lamp.



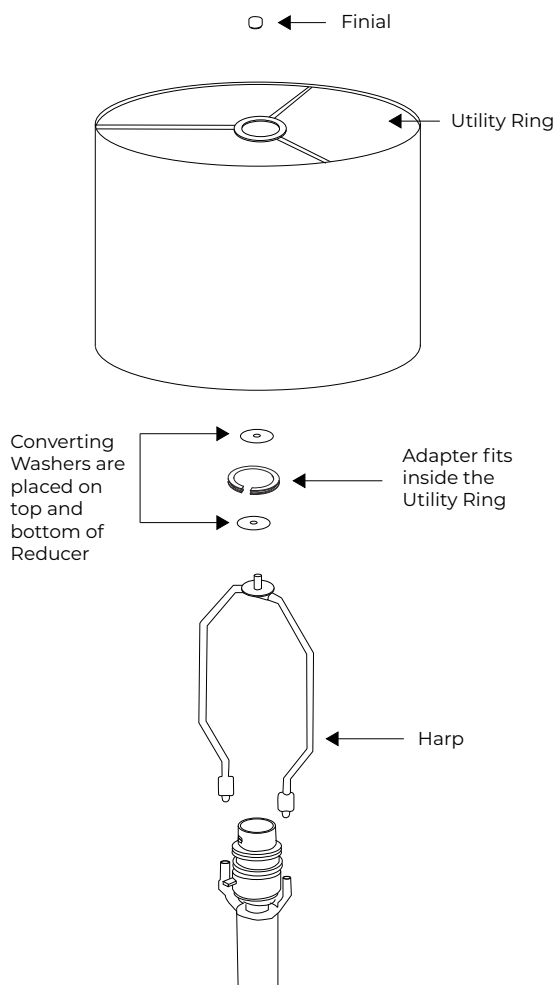
Spring Clip Fitting / Candle Clip Fitting

Spring clip fitting - not a gimbal, but are generally found on smaller shades, such as our smallest french drum and scalloped lampshade frame. The clip fits over and sits on the bulb.



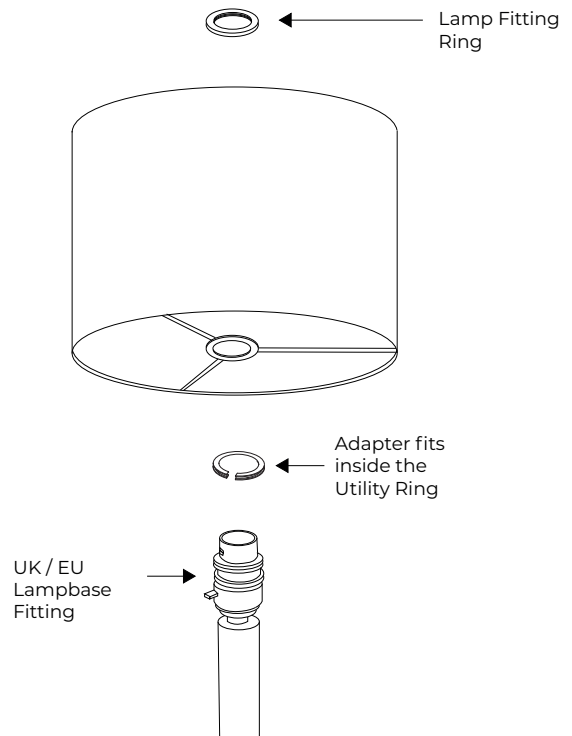
How to convert UNO/ES washers:

US Harp & Finial Fittings



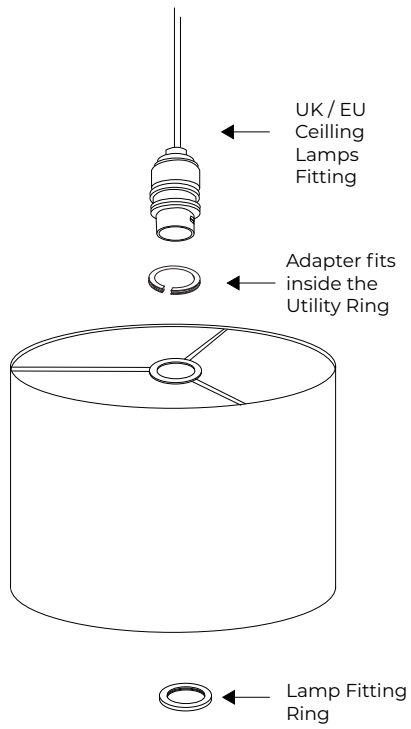
UK & EU Lampbases

B22 Bayonet Cap
E14 Edison Screw



UK & EU Ceiling Lamps

B22 Bayonet Cap
E14 Edison Screw



UNO Fittings

E27 Edison Screw
E26 Edison Screw Lampholders

